

TeamBoard RT (16:10)



TMWM7450EM
EganMetallic Frame

Interactive learning—made easy

The interactive whiteboard is **easy does it** with TeamBoard RT 16:10 – a robust construction, reliable finger-touch interactivity, a guaranteed-to-clean surface, and an integrated Action Bar that needs no special pens or parts! TeamBoard RT 16:10 also brings you compatibility with the newest projectors, with full widescreen functionality that offers 20% more interactive workspace than a standard interactive whiteboard. TeamBoard is a global leader in the interactive whiteboard market. Inspired by teachers, students, professionals and facility experts, TeamBoard's interactive whiteboards are designed to accelerate learning by increasing engagement, improving retention and fostering an enthusiasm for learning. TeamBoard has been designed with today's classroom in mind. It provides the power of interactivity to learning—made easy.

Function meets simplicity

TeamBoard RT models are the most user-friendly interactive whiteboards. You do not have to worry about losing any proprietary gadgets, pens or tools. All features are controlled with the touch of a finger. The low-glare VersaSurface™ is perfectly suited for projection. The image can be viewed from any angle and seat in the room. The matte-white surface ensures that there will be no visible hot spots or glare—even without dimming the lights. TeamBoard's award winning Versa presentation surface is a unique dry-erase writing and projection surface. The VersaSurface is guaranteed-to-clean; even permanent marker, if used by mistake, is easy to erase.

TeamBoard RT's removable controller allows for quick upgrades and replacements (usually within 24 hours). There is no need to wait for a technician to visit nor will you be burdened with the responsibility of having to send back your interactive whiteboard should you experience technical difficulties.

Designed by educators, Inspired by learners

TeamBoard RT has been designed jointly with educators, professionals and facility experts to provide the most to the interactive learning experience. The simple **easy does it** TeamBoard RT tutorials help educators use this product with ease and confidence. With TeamBoard RT, learners will absorb information more easily as they will be freed up from note-taking and can participate in group discussions. Consistent and long-term use of a TeamBoard RT will ensure improved student achievement—Easy does it!



Touch sensitive!
85" diagonal workspace



easy[™]
does it.

TeamBoard
RT (16:10)

TMWM7450EM (85" diag.)


160°

EGAN Versa
SURFACES



Features

✓ RT (Resistive Touch) Functionality

Benefits

- > Your finger is the mouse—simply touch to 'click', 'click and hold' or 'right click'
- > Easy for learners or presenters of all ages
- > Intuitive—directly touch what you wish to control
- > No special pens—nothing to lose or replace. No batteries needed
- > RT 'air gap' provides tactile feedback to your finger touch
- > Responds quickly and accurately to your touch with a tracking rate and resolution well above normal requirements. Where you touch, TeamBoard RT responds accurately

✓ Widescreen

- > 16:10 format provides 20% greater interactive surface area, and compatibility with the newest projector formats

✓ Whiteboarding Mode

- > No projector—no problem. TeamBoard RT's whiteboard mode captures all your dry-erase drawings and notations into your PC

✓ Action Bar

- > Integrated into the RT functionality—no extra cords or power required

✓ Removable Controller

- > Easily removable by any user without the use of tools or technician
- > May be upgraded or replaced in one business day

✓ High Quality Construction

- > Advanced steel-backed, honeycomb core gives increased warp-free board strength and stability, with reduced weight

✓ Color

- > EganMetallic—Custom Color available

✓ RJ45 Cabling

- > Adapts to (included) RJ45 cable for USB connection, providing performance and installation advantages
- > Draws its only power through RJ45 connector cable from the PC or laptop
- > Shielded RJ45 connector cable prevents data transfer loss

✓ Wall-mounting

- > Ships with a wall-mount bracket for easy installation. Additional wall-mount brackets are available for multiple, repositionable heights and locations

Installation Flexibility

- > Wall-mount bracket included for easy installation
- > Additional Wall-mount brackets are available, for economical installation in multiple heights or locations
- > TeamBoard RT is EganSystem Track compatible! www.egan.com
- > Wall Mount Height Adjustable (Fall 2009 release) for integrated projector installation and powered height adjustment at the touch of a finger. See Product Guide.
- > Mobile Stand for free-standing mobility. Manual height adjustment. See Product Guide.

easy[™]
does it.

- Easy to use
- Increases audience retention and engagement
- Fosters an enthusiasm for learning
- Learners absorb information easily
- Improves student achievement



Design Intent

Fingertouch response means you'll be comfortable interacting through TeamBoard RT right away, and with its new widescreen aspect ratio, TeamBoard RT 16:10 is well-suited for use with the newest of projectors, offering plenty of workspace. A rugged construction (an industry-leading warranty) means years of no-hassle enjoyment in even the most demanding environments. This, combined with its proprietary VersaSurface™ means you have four high-performing, simple-to-use operating modes to suit your needs—Easy does it!

Customization

In addition to custom cabinet options, TeamBoard RT 16:10 frames may be custom-colored to suit any environment. TeamBoard RT 16:10 may also be custom-ordered with factory-printed EganInk™ dry erase graphics. Contact your reseller for details.

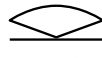
Operating Specifications

Functionalities	Interactive —when used with PC and projector Electronic whiteboard —when Whiteboard —when used with no peripherals Projection screen —when used with projector and not PC
Resolution	4096 x 4096
Tracking Speed	200 inches per second approximates 'real time'
Aspect Ratio	16:10
Screen Surface	Strong, durable, hard-coated VersaSurface; dust resistant, sunlight operable; suitable for dry erase and low-glare ideal for projection
Certifications	CE, CSA, TUV, ADA and RoHS compliant The management systems governing the design and manufacture of this product are ISO9001:2008 and ISO14001:2001 certified
Computer Compatibility	Minimum requirements: 500mb RAM, 300 mb hard drive space, 500Mhz, CPU. Windows, Mac, Linux
Software	Includes TeamBoard Suite 5.0 and TeamBoard Draw software; upgrades are free, unlimited and downloadable
Connection	1 USB port required on PC; shielded RJ45 cable connects via adapter (included); no 110V AC required; control box is RJ45 female
Power Consumption	DC+5V max 300mA (1.5 watts)
Data transfer Rate	12 Mbps
Temperature Range	Operating: -40°F – 94°F (-40°C – 35°C) Storage: -40°F – 120°F (-40°C – 50°C) Change tolerance: slope less than 55 F/hr – 25 C/hr Humidity tolerance: Operating; 0%-80% non-condensing Storage; 0%-95% non-condensing
Accessories	Stylus, Egan dry erase markers (ACMI certified non-toxic), EganCloth included
Warranty	5-year hardware and 10-year surface warranty

Key Features

Touch Sensitive: There are no gadgets to handle—simply touch the TeamBoard with your fingertip.

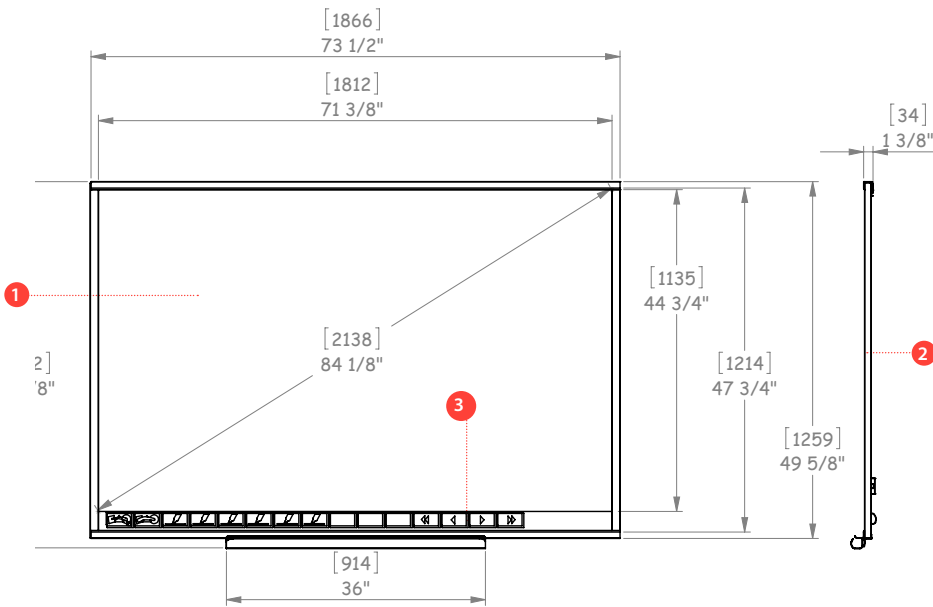
EGAN Versa SURFACES **Guaranteed-to-clean VersaSurface:** An Egan TeamBoard exclusive, VersaSurface is an enhanced, dry-erase writing surface providing excellent durability. With VersaSurface, even permanent marker, if used by mistake, is easy to erase.

 **160° Viewing:** The beautiful, low-glare VersaSurface is perfectly suited for projection. It provides a full 160° comfortable viewing angle, to view from any seat in the house. The matte-white surface ensures that you won't have 'hot spots'—even without dimming the lights.

Wall-mount Brackets Included: TeamBoard RT ships with a wall-mount bracket for easy installation. Additional wall-mount brackets are available, which can be installed in multiple heights or locations.

No Hassle: If you have any problems, pick up the phone and let us know. We expect, and need, our customers to be delighted with our products and services.





- 1 Proprietary Surface**
The VersaSurface means that besides TeamBoard RT being fully interactive, it works exceptionally well as a dry-erase surface and is guaranteed-to-clean for 10 years!
- 2 Best Built Boards**
The steel-backed recycled paperboard honeycomb core provides warp-free strength and durability, clad in a robust extruded aluminum frame for peace of mind even in demanding environments
- 3 Simple Interaction**
The Action Bar gives you **easy** does it interactivity, and is integrated into the board for simple, hassle-free use, without requiring any special pens or vulnerable mechanical parts

What's in the box...



TeamBoard Suite 5 is available in 16 different languages* and compatible with all Windows, Macintosh and Linux operating systems. Downloads and upgrades are free, unlimited and available online.

TeamBoard Draw is a presentation and annotation software that is included at no additional cost with the purchase of every TeamBoard. TeamBoard Draw has all of the tools and resources necessary to create compelling interactive lessons quickly and simply.



WizTeach Tool Kits for teachers enrich the interactive use of TeamBoard in the classroom by providing an array of flexible, floating toolbars that enable teachers to design and prepare rich lesson plans, or to demonstrate concepts on-the-fly in the classroom. The TeamBoard WizTeach bundle includes 7 components: Measurement Tools, Number Tools, Graph & Data Tools, Geometry Tools, Literacy Tools, Literacy Games, and Math Games. Every TeamBoard RT 85" 16:10 ships with a 5-user license for WizTeach.

*Additional languages in development

Accessories Included

- Stylus, Egan dry erase markers (ACMI certified non-toxic)
- EganCloth
- RJ45 cable with USB connection

Dimensional Details

Total size: 73^{1/2}"W x 49^{5/8}"H x 1^{3/8}"D
(1866mm x 1259mm x 34mm)

Pen Tray: 36"W x 1^{7/8}"H x 1^{7/8}"D
(914mm x 48mm x 48mm)

Weight: 66 lbs. (30 kg)

Shipping Carton: 76" W x 57" H x 4" D
(1930mm x 1448mm x 101mm)

Shipping Weight: 97 lbs. (44 kg)



Designed and manufactured in North America by Egan & TeamBoard, leaders in the Interactive Whiteboard marketplace for 15 years. TeamBoard is part of the Egan Visual family, designers and manufacturers of visual communication products for over 40 years. You can count on TeamBoard products to be well-designed and well-built for years of hassle-free enjoyment.

Environmentally responsible design, quality, cost and timeliness. Egan TeamBoard Inc. has been certified by UL™ to have established, documented, implemented and maintain a Quality Management System as well as an Environmental Management System, and is registered to the ISO9001:2008 and ISO14001:2004 standards.



**Egan TeamBoard, Inc.
International**

Tel +1-905-851-2826
Fax +1-905-851-3426

www.egan.com
www.teamboard.com

**Egan TeamBoard, Inc.
US Eastern / Central States & Canada**

Tel +1-905-851-2826 1-800-263-2387
Fax 1-888-609-8886

sales@teamboard.com

**Egan TeamBoard, Inc.
US Mountain and Western States**

Tel +1-323-720-1336 1-800-826-1778
Fax 1-800-726-1314

support@teamboard.com

This document is printed
on certified paper product.

